

# TSUN Rapid Shutdown Control Unit



TSOL-RSD-  
S600/S1000/S1200/S1500-X



House on fire!!!

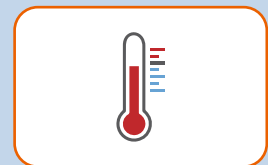


Solar system is still working, high DC power on roof, if with water, firefighters are in danger, can't put out fire whatsoever.



NO!!! House burned down.

## Automatic Shutdown



Automatically shutdown the DC power of panels when detecting temperature of the area is higher than 70 C.



House on fire!!!



Rapid shutdown control unit cut off solar power automatically or manually, no life risk put out fire using water, firefighter can work now.



Fire put out, house is safe now.

## Manual Shutdown



Firefighter or house owner can manually switch off the manual switch to shutdown the DC power of the panels if there is an emergency situation.



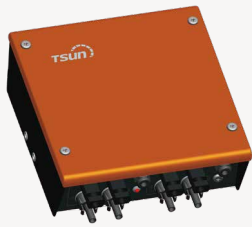
### TSUNESS Co., Ltd

E-mail: sales@tsun-ess.com

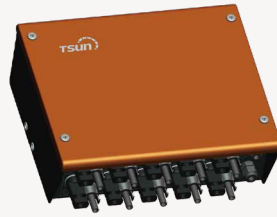
Web: www.tsun-ess.com

Tel: +86-512-6618 6028

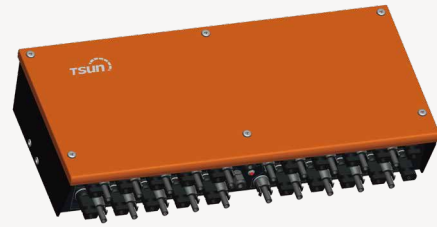
Add: Building D2, No. 555, Chuangye Road, Jiashan County, Jiaxing City, ZheJiang Province, China



1~2 Solar Strings



3~5 Solar Strings



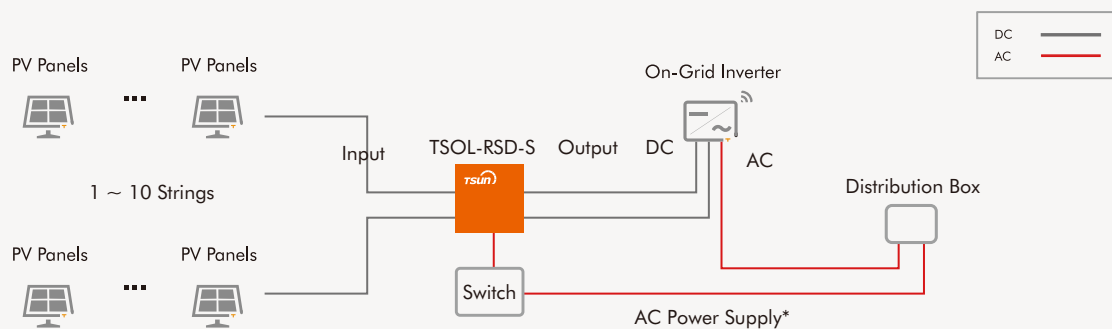
6~10 Solar Strings

## Technical Data

Model*	TSOL-RSD-S600-x	TSOL-RSD-S1000-x	TSOL-RSD-S1200-x	TSOL-RSD-S1500-x
Quantity of solar strings	1 ~ 10 optional			
Max. DC Voltage	600V	1000V	1200V	1500V
Max. DC Current	30A			
Connector Type	MC4 (Solar), Plug-in Connector (AC Power), Plug-in Connector (Signal output, optional)			
Operating AC Voltage Range / Normal Frequency	100 - 240V, 50 / 60 Hz			
Operating Temperature Range	-25 C to +70 C (Automatically Switch off at +70 C )			
Ingress Protection	IP66			
Dimensions	214*227*97(1~2 strings), 227*269.5*107(3~5 strings), 235*505*100(6~10 strings)			

\* "x" means the quantities of solar strings.

## Diagram



\* TSOL-RSD-S could be powered by the EPS output while this is used in a storage system.