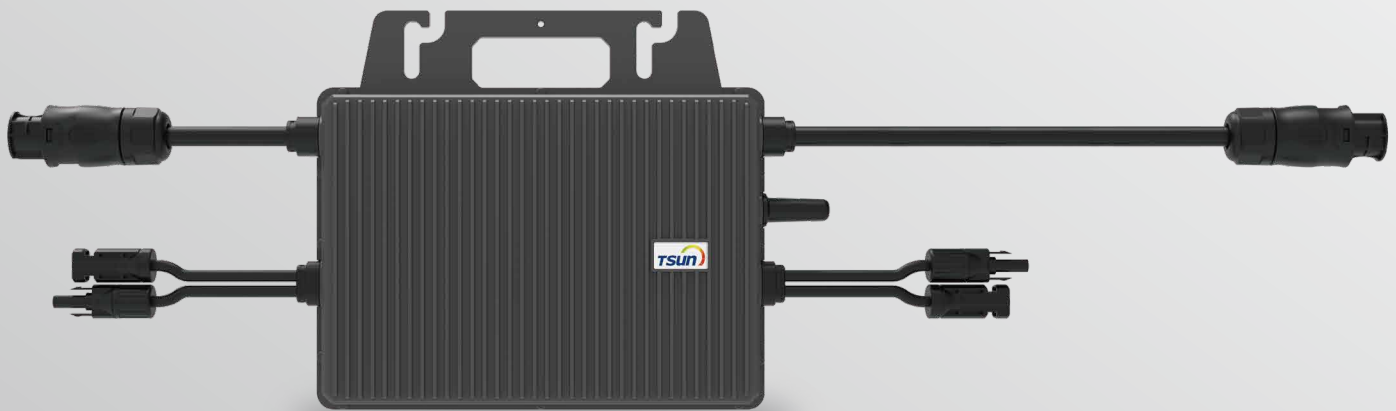


TSUN Micro Inverter (North America)



TSOL-M700L/M800L



Maximized Efficiency

- Individual optimization, separate dedicated MPPT for each panel.
- New topology design, max. efficiency up to 96.7%.

Flexibility

- Plug & play installation. Easy to install.
- Multi-channel MPPT for complex installation environments with higher cost performance

Safety

- Max. DC voltage 60V. No threat for high DC voltage.
- Integrated LoM protection function. Ensure the safety of power grid.

Reliability

- Die casting design and glue filling technology. Better thermal dissipation.
- Standard 12 years warranty, Quality guaranteed.



TSUNESS Co., Ltd

E-mail: sales@tsun-ess.com

Web: www.tsun-ess.com

Tel: +86-512-6618 6028

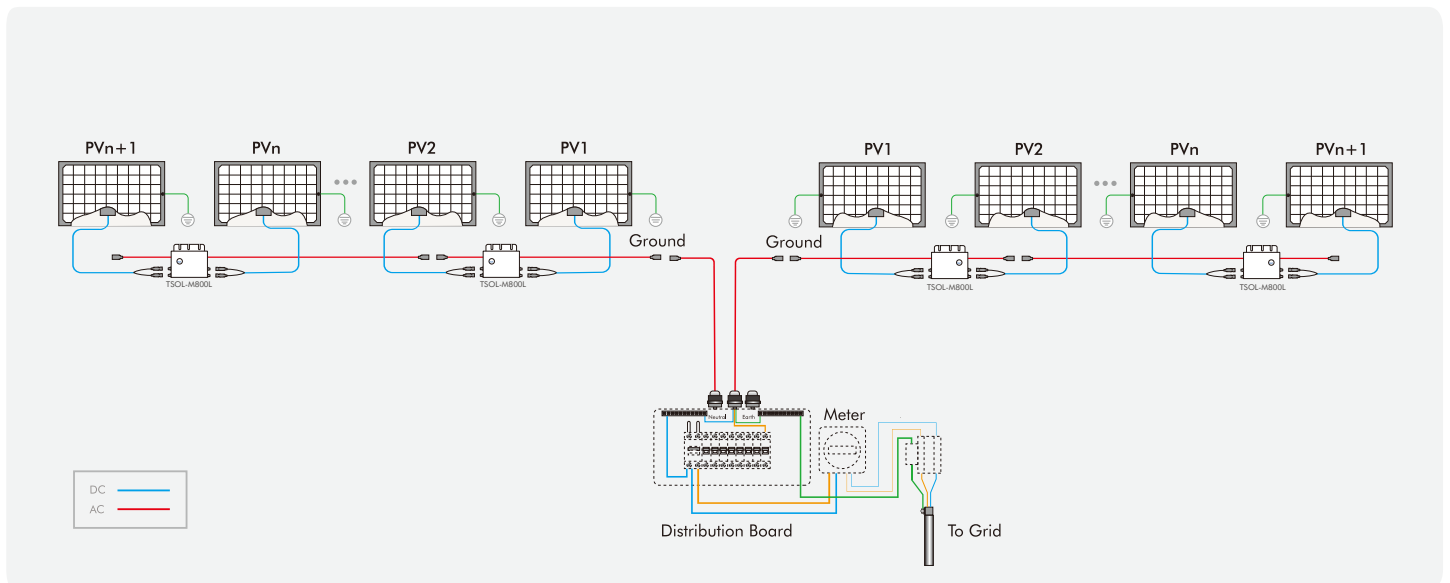
Add: BuildingD2, No. 555, Chuangye Road, Jiashan, Zhejiang Province, China

Technical Data

Model	TSOL-M700L	TSOL-M800L
Input(DC)		
Recommended Input Power [W]	2*240-380	2*280-440
MPPT Voltage Range [V]	29-48	33-48
Operating Voltage Range [V]		16-60
Max. Input Voltage [V]		60
Max. Input Current [A]	10.5	11.5
Max. Input Short Circuit Current[A]		15
Output [AC]		
Max. Continuous Output Power [W]	600	700
Nominal Output Current [A]	4.72	5.51
Nominal Output Voltage [V] *		127,L/N/PE
Nominal Frequency [Hz] *		60
Power Factor		>0.99
Output Current Harmonic Distortion		<3%
Max. Units Per Branch	5	4
Efficiency		
Peak Inverter Efficiency		96.7%
CEC Weighted Efficiency		96.5%
Nominal MPPT Efficiency		99.9%
Night Time Power Consumption [mW]		<50
Mechanical Data		
Dimensions (WxHxD) [mm]		250×170×28
Weight [kg]		3
Type of Enclosure		IP67
Cooling		Natural Convection
Environmental Data		
Operating Ambient Temperature Range [°C]		-40°C to 65°C
Operating Internal Temperature Range [°C]		-40°C to 85°C
Relative Humidity		0-100 % condensing
Max. Operating Altitude Without Derating [M]		2000
Monitor		2.4G RF

※ The AC voltage and frequency range may vary depending on specific country grid.

Diagram



For more information, visit/contact us at www.tsun-ess.com

©2019 TSUNESS. All rights reserved. All specifications are subject to change without prior notice.