

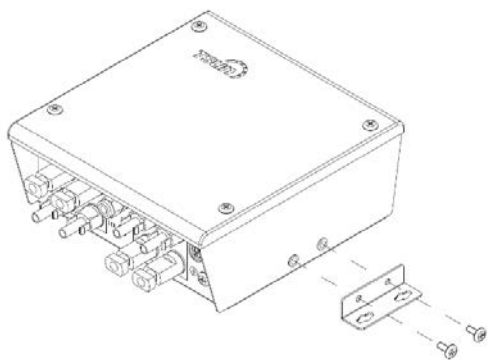


Quick Installation Guide

TSOL-RSD-S600/1000/1200/1500-x

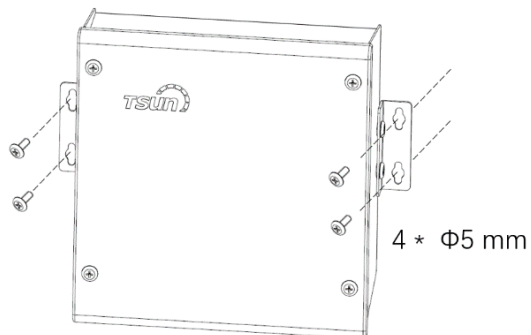
Step 1: Assemble the hangers

Assemble the two hangers on the Enclosure.



Step 2: Fix the rapid shutdown control unit

Fix the rapid shutdown control unit on the wall or the solar bracket. The size of these holes is $\Phi 5$ mm.



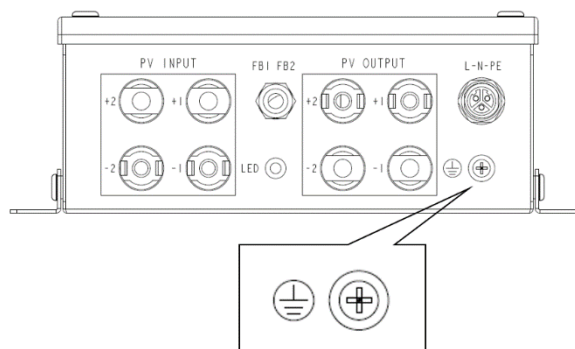
Warning: The rapid shutdown control unit may not be installed in direct sunlight.

Warning: Installers should determine the installation location of rapid shutdown control unit according to local regulations

Tips: There are no installation screws in the package. Installer should prepare these screws or expansion bolts according to the installation environment.

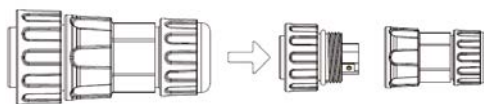
Step 3: Connect the ground cable

Connect the ground cable to the enclosure.



Step 4: Connect the AC cable

Separate the AC connector.

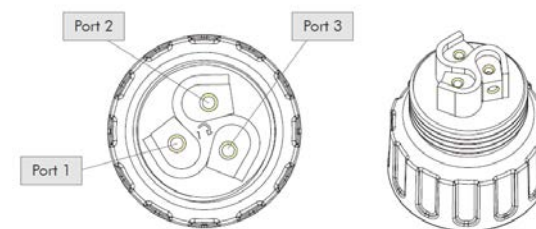


Connect the AC cable. The definition of the port is shown below:

- Port 1(Brown/Red): Live
- Port 2(Yellow-Green): Ground
- Port 3(Blue/Black): Neutral

Tips: Use AWG 18 (or 1 mm²) cable for AC cable.

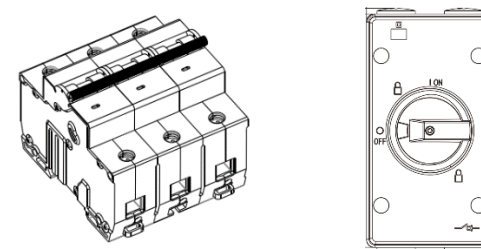
Warning: Make sure each cable is connected to the right port.



Assemble the AC connector.



Plug the connector into the AC socket of rapid shutdown control unit. Then connect the other side of AC cable to an AC breaker or an AC switch.



Warning: To prevent electrical hazards, make sure the switch is turned to "OFF" position.

Warning: Installers should determine the installation location of switch according to local regulations

Tips: There are no AC switch or AC breaker in the package.

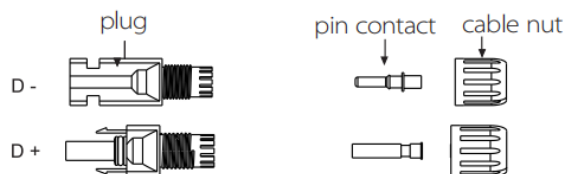
Paste the warning label near the switch.

**PHOTOVOLTAIC SYSTEM
EQUIPPED WITH RAPID
SHUTDOWN**

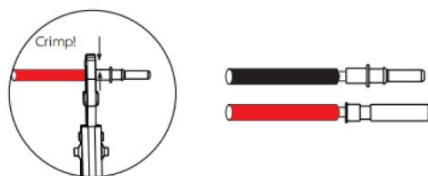
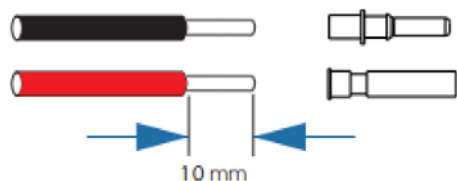
TURN RAPID SHUTDOWN SWITCH TO THE "OFF" POSITION. CONDUCTORS OUTSIDE THE ARRAY WILL BE SHUT DOWN WITHIN 30 SECONDS. CONDUCTORS WITHIN THE ARRAY REMAIN ENERGIZED.

Step 5: Connect the DC cable

Separate the DC connector.

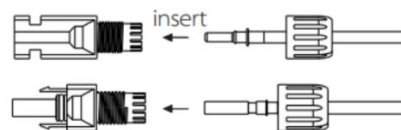


Connect the DC cable.



Tips: Use AWG 12 (or 4 mm²) cable for DC cable.

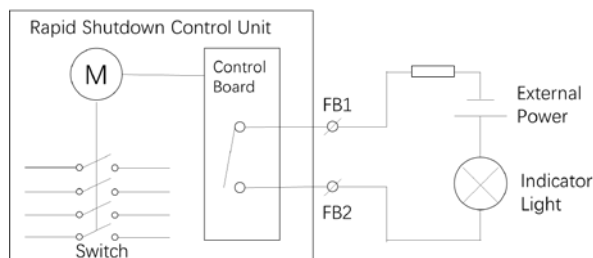
Assemble the DC connector.



Plug the connectors into the DC sockets of rapid shutdown control unit.

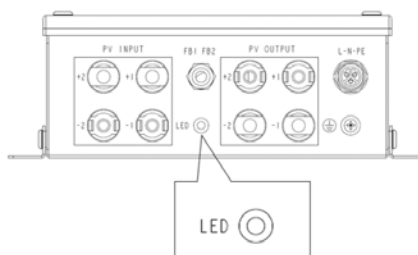
Step 6: Connect the FB1&FB2 port (Optional)

Use the 2-port connector to connect the FB1&FB2 port to any remote status display device (such as indicator lights). When the switch is turned on, the FB1&FB2 will be connected. When the switch is turned off, the FB1&FB2 will be disconnected.



Step 7: Start the rapid shutdown control unit

Turn the switch of rapid shutdown control unit to "ON" position. The rapid shutdown control unit will start to work and the status LED will be solid red.



Annex: Packing List

Model	TSOL-RSD-S600/1000/1200/1500-									
	1	2	3	4	5	6	7	8	9	10
Rapid Shutdown Control Unit	1									
Hangers	2									
Screws	4									
DC Connector (Female)	2	4	6	8	10	12	14	16	18	20
DC Connector (Male)	2	4	6	8	10	12	14	16	18	20
AC connector	1									
2-port connector	1 (optional)									
Screwdriver	1									
Warning Label	1									
Quick Installation Guide	1									

TSUNESS Co., Ltd



TEL: +86 512 6618 6028

E-mail: sales@tsun-ess.com | www.tsun-ess.com

Add: Building E1, No. 555, Chuangye Road, Dayun Town, Jiashan County, Jiaxing City, Zhejiang Province, China