

# Quick Installation Guide (Power Meter ADL400N-CT)



## Packing List

Meter*1	CT*3	Quick Installation Guide*1

\* Due to different current specifications, the physical appearance of the CT may differ.

## Port Description

Label	Meter Wiring	Label	Meter Wiring
I1+	CT1 - Red Wire	L1	Live Wire 1
I1-	CT1 - Black Wire	L2	Live Wire 2
I2+	CT2 - Red Wire	L3	Live Wire 3
I2-	CT2 - Black Wire	N	Neutral Wire
I3+	CT3 - Red Wire	A	RS485 A Wire
I3-	CT3 - Black Wire	B	RS485 B Wire

## Meter Installation

### Danger

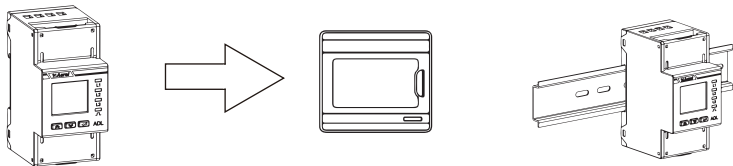
- Installation is limited to professional personnel only.
- Before installation, ensure that all switches inside the distribution box are turned off.
- Do not touch any live conductors inside the distribution box to prevent electric shock.

- Step 1: Connect the L1, L2, L3 (Live) and N (Neutral) wires to the corresponding ports of the Meter. For safety considerations, it is advisable to install a fuse on the live wire.

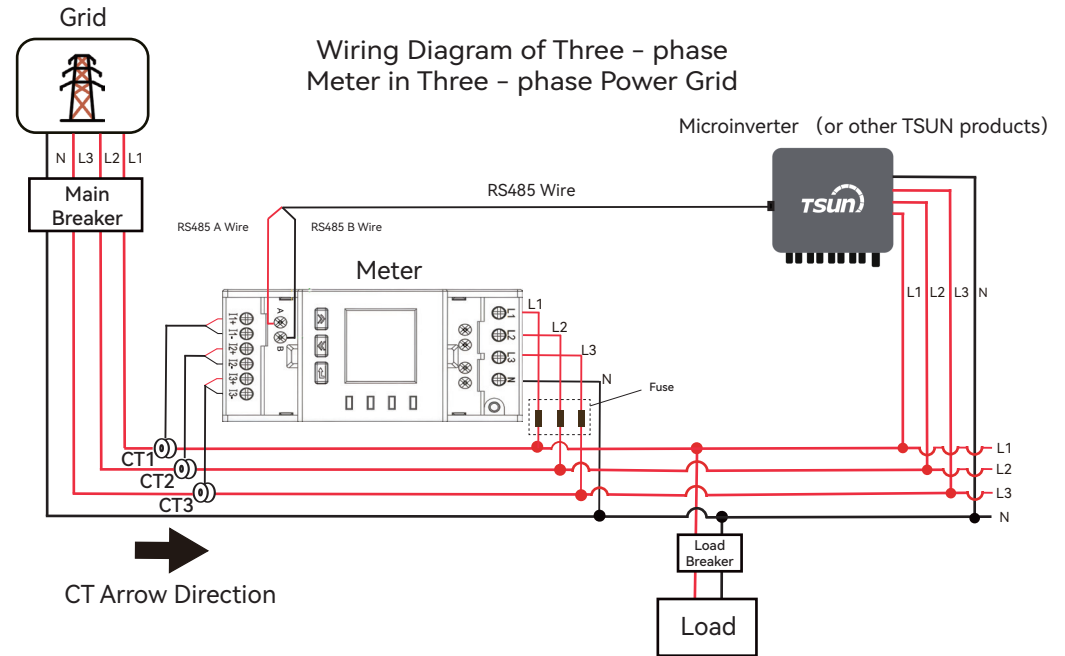
### Caution

The CT has been pre-connected into the meter.

- Step 2: Install the Meter on the rail of the distribution box.



- Step 3: Install each current transformer (CT) on the corresponding live wire (L). The arrow marked on the CT should point from the grid side to the microinverter side to ensure accurate metering readings.



CT Arrow Direction

### Caution

To ensure numerical accuracy, each CT shall be connected to the phase wire port with the same number in the same phase. For instance, CT1 and L1 should be connected to the same phase.

- Step 4: After ensuring that the connections of the Smart Meter are accurate, turn on the switch inside the distribution box again.

### Caution

When no power generation equipment is installed, if the meter reading shows a negative value, the direction of the Current Transformer (CT) should be checked.

If you have any questions during the installation process, please scan the QR code below to access "ADL400N - CT Meter User Manual" or view the meter installation video.



ADL400N-CT  
Meter User Manual



Meter Installation Video

TSUNESS Co., Ltd

E-MAIL : sales@tsun-ess.com

WEB : www.tsun-ess.com

TÉL : +86-512-66186028

